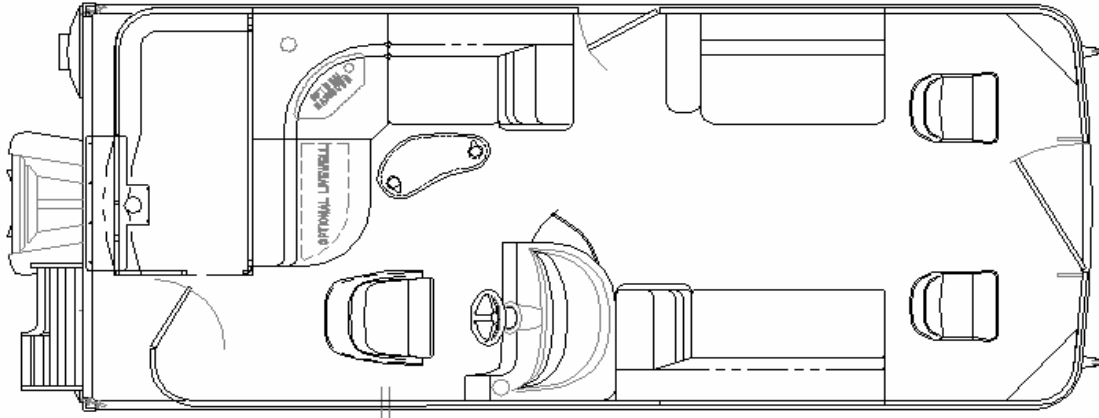


2075GF*i*

Specifications:

		23" Tubes	25" Tubes	3- 25" Tubes
Pontoon Length.....	20' 6"			
Deck Length.....	19' 11"			
Deck Width.....	8' 6"			
Pontoon Diameter.....	23"			
Pontoon Gauge.....	.080"			
	Max. HP Capacity.....	60 hp	115 hp	150 hp
	Approx. Hull Weight.....	2144 lbs	2194 lbs	2553 lbs
	Person Capacity.....	9 / 1195 lbs	9 / 1240 lbs	11 / 1540 lbs



New Model Replaced 2075GS

Standard Features

Exterior

- 6" Stainless Steel Cleats
- 9' Bimini w/Boot, Quick Rel & 1.25" Frame
- Anodized, Raised Rails for Drainage
- Bimini Trailer Struts
- Full Length Pontoon Skirting
- Logo on back of boats
- Playpen Cover
- Stainless Deck Bolts
- Stainless Steel Corner Castings
- Stern Entry w/ Swim Platform & Built-in Ladder
- Underdeck Spray Deflectors

Interior

- 2 Bow Fishing seats
- 2 Chaise Lounge w/Storage
- 26 Gallon Center Mounted Fuel Tank
- 28 oz Palm Carpet
- Captain's Seat w/ Slider / Swivel
- Fire Extinguisher
- Kidney Shaped Table
- Privacy Enclosure
- Rod Holders at Bow
- SRT + Stain Block Vinyl

Console

- 40" One Piece Fiberglass Console
- W/ Quick Release Windshield
- 12 Volt Receptacle
- Faria Gauges w/ Sealed Connectors
- Instrumentation: Mahogany Panel
- Includes: Tach, Volt, Trim,
- Fuel Gauge & Hour Meter
- Lockable Console Door
- Rocker Switches w/dash mounted breakers
- Soft Cooler

NEW STANDARD FEATURES 2009

Curved Fisher Bow

**G/F Furniture - Redesigned Deeper Dura Frame
Seats & Single Knuckle Hinges used on
Seat Bases**

**New Water Resistant Rockford Fosgate AM/FM
w/ MP3 & IPOD Ports Plus USB Port ,
2 Ultimate Speakers**