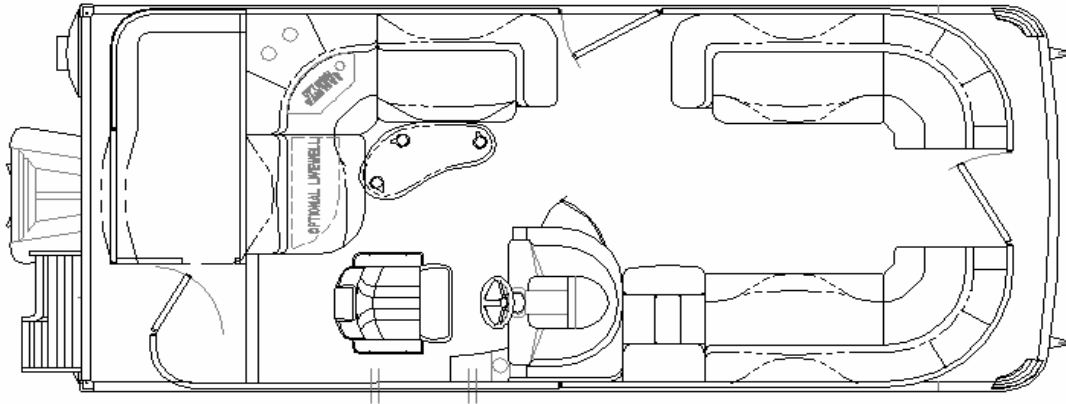


Specifications:		25" Tubes	3- 25" Tubes
LOA.....	22' 2"	Max. HP Capacity.....	115 hp
Pontoon Length.....	20' 6"	Approx. Hull Weight.....	2194 lbs
Deck Length.....	19' 11"	Person Capacity.....	9 / 1240 lbs
Deck Width.....	8' 6"		11 / 1540 lbs
Pontoon Diameter.....	23"		
Pontoon Gauge.....	.080"		



Standard Features:

Exterior

- 10' Bimini Top w/ Embroidered Boot, Quick Release Fittings & 1.25" Frame**
- 6" Custom BENNINGTON Stainless Steel Cleats
- 16" On-center Main Cross Members**
- 25" Pontoons**
- Anodized, Raised Rails For Drainage
- Bimini Trailing Struts
- Docking lights with color matched housings**
- Laser Cut Bennington Thresholds @ Gates
- Heavy Duty Rub Rail
- Panels to top rail**
- Playpen Cover -Surlast**
- Pontoon Skirting
- Raised Chrome Letter Logo's & Model Designators
- Stainless Deck Bolts
- Stainless Steel Corner Castings
- Streamline Rail System**
- Stern Entry Platform & Ladder
- Underdeck Spray Deflectors

Interior

- 1 Chaise Lounge w/ Storage & Ventilation
- 26 Gallon Center Mounted Fuel Tank
- Courtesy Light (1)
- Fire Extinguisher
- High Performance Palm Carpet**
- LED Mood Lighting
- Mahogany Kidney Table
- Portable Cup Holders (2 cup removable w/mahogany)**
- Privacy Enclosure w/color matched canvas
- Reclining Helm Seat (redesigned)**
- Seat hinges powder coated Java**
- Stainless Steel Cupholders
- Under Seat Storage Tray/ Paper Towel Holder
- Vinyl Floor in Stern
- Waste Container In Chaise Lounge

Console Features:

- 12 Volt Outlet (15 Amp)
- 41" Console Cap**
- Analog gauges w/paddle wheel speedometer & fish graph**
- Locking Side Access Storage W/ Soft Cooler
- Locking Glovebox
- Sony GT Series CD - MP3, 4 speakers with color matched speaker grills**
- Windshield - redesigned**