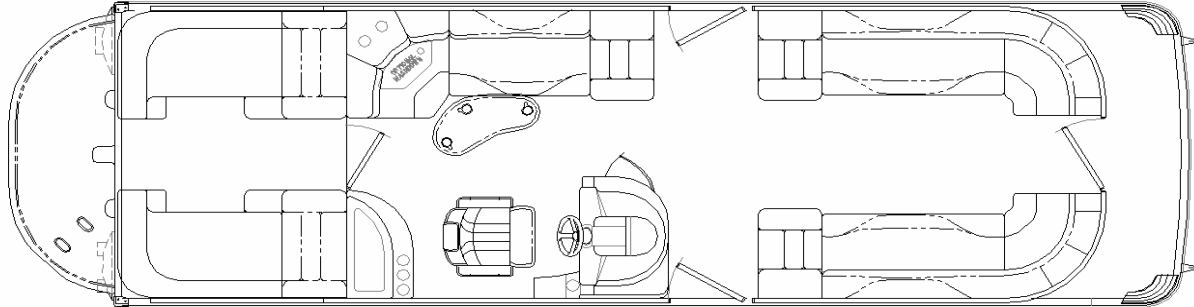


Specifications:		3-Tubes ESP	
LOA.....	30' 2"	Max. HP Capacity.....	320hp revised
Pontoon Length.....	28' 6" (LOA 31')	Approx. Hull Weight.....	4262 lbs plus engine
Deck Length.....	27' 11"	Person Capacity.....	16 / 2280 lbs
Deck Width.....	8' 6"	Hull Gauge	0.125
Pontoon Diameter.....	25"	Elliptical Gauge Center Tube.....	0.100
Pontoon Gauge.....	.090"		



Standard Features:

Exterior

6" Custom BENNINGTON Stainless Steel Cleats
10' Bimini w/Boot, Quick Rel & 1.25" Frame w/LED lighting
 2 - 25" Pontoons w/32" Center Elliptical Tube
 Anodized, Raised Rails For Drainage
 Bimini Trailing Struts
Docking lights with color matched housings
 Fiberglass Swim Platform w/Ladder
 Laser Cut Bennington Thresholds @ Gates
 Heavy Duty Rub Rail
Panels to top rail
Playpen Cover -Surlast
 Pontoon Skirting
 Raised Chrome Letter Logo's & Model Designators
 Stainless Deck Bolts
 Stainless Steel Corner Castings
 Stainless Steel Ski Pylon (removable)
Streamline Rail System
 Stern Entry

Interior

3 Chaise Lounges w/ Storage & Ventilation with full Bow benches (redesigned)
 62 Gallon in Hull Center Mounted Fuel Tank
 Aft facing Super Lounges with Center Walk Thru Design on Power Actuated Engine Hatch Lift System
Changing Room Under Port Lounge w/color matched canvas - Power Actuated
 Courtesy Light (1)
 Fire Extinguisher
 Full Length Release Rod for Engine Cover Actuator
High Performance Palm Carpet
 LED Mood Lighting
 Mahogany Kidney Table
 Mid Ship Spring Line Mooring Eyes
Portable Cup Holders (2 cup removable w/mahogany)
Reclining Helm Seat (redesigned)

Interior - continued

Seat hinges powder coated Java
 Stainless Steel Cupholders
 Under Seat Storage Tray/ Paper Towel Holder
 Waste Container In Chaise Lounge

Console Features:

12 Volt Outlet (15 Amp)
41" Console Cap
Analog gauges w/paddle wheel speedometer & fish graph
 Deluxe Wheel
 Locking Side Access Storage W/ Soft Cooler
 Locking Glovebox
Sony GT Series CD - MP3, 4 speakers with color matched speaker grills
Windshield - redesigned

Performance:

Battery Switch relocated on Electrical
 Distribution Panel in Helm Storage Compartment
 Bilge Blower
 Bilge Pump, manual/auto
 Easy Access Engine Compartment w/Composite Transom
 Hydraulic Actuated Power Steering
 Lifting Strakes, Foils, Rounded Keels (ESP)
 Rough Water Package
 Stainless Steel Propellers
 Underdeck Wave Shield